

ilumen



Muller

The next generation of Street light

WE MAKE IT
Light
GERMAN QUALITY · DEUTSCHE QUALITÄT

SMART ROAD LIGHTING

Muller LED street light is a cutting-edge, energy-efficient lighting solution designed for outdoor environments such as roads, highways, and public spaces. It utilizes advanced LED technology to deliver an impressive 150 lumens per watt (lm/W) or more, ensuring exceptional brightness while minimizing energy consumption. This high efficacy makes it a sustainable and cost-effective choice, significantly reducing electricity costs and environmental impact compared to traditional lighting systems.

Muller is engineered for durability, offering a long lifespan and low maintenance requirements. It provides uniform, high-quality illumination, enhancing visibility and safety in urban and rural areas. With its superior energy efficiency and performance, Muller LED street light is an ideal solution for modern infrastructure projects that prioritize sustainability, energy savings, and reliable lighting.



Industrial Zones



Highways



Bridges



Seaports



Public Parks

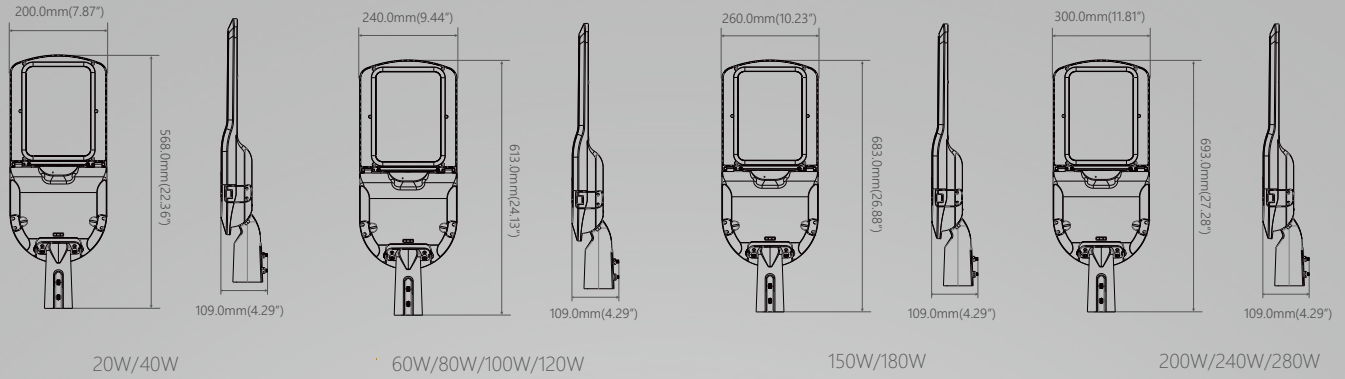


Rural Areas





VERSIONS



Muller S

IL-ST11-D02040-XXX
IL-ST11-D04040-XXX

Muller M

IL-ST11-D06040-XXX
IL-ST11-D08040-XXX
IL-ST11-D10040-XXX
IL-ST11-D12040-XXX

Muller L

IL-ST11-D15040-XXX
IL-ST11-D18040-XXX

Muller XL

IL-ST11-D20040-XXX
IL-ST11-D24040-XXX
IL-ST11-D28040-XXX

PRODUCT DATA

Light and Electrical

LED Chip	Lumileds 5050 /Cree XPG
Light Efficacy	150lm/W
CCT	2700-6500K
CRI	>70 (80 optional)
LED Lifespan	100,000Hrs@L80B10 (Ta 25Deg)
Driver	Osram/Philips DALI
Input voltage	220-240Vac
Input Frequency	50/60Hz
Inrush current	-
Power Factor	>0.95
THD	<15
SPD	Osram/Philips 10KV
CLASS	I/II

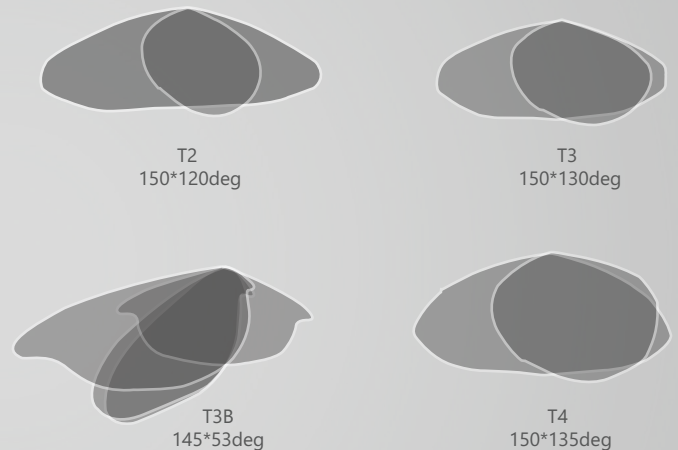
Controls and Dimming

Dimmable	Yes
Intelligent Control	1-10V Dimming/DALI/Daylight Sensor/Microwave Sensor

Mechanical and Housing

Structure Material	Die-cast Aluminum EN AC-44100 with low copper
Finish Material	Polyester powder coat paint
Lens Material	Polycarbonate UV resistant
Glass Material	Tempered glass
Ingress protection code	IP66
Mech. impact protection	IK08

Photometric distributions



Operating Temperature

Operating Temperature -30°C~+50°C

Certificates and Standards



KEY BENEFITS

PC lens+ Tempered glass



Power selectable & 3 CCT selectable

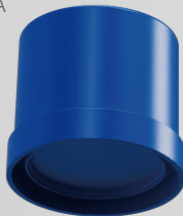


Buckle design for easy opening

Tool-free access to electronic compartment with a snap fastener. Easy installation and maintenance.

Smart Control optional

Photocell/3Pin/5Pin/7Pin NEMA socket/Zhaga



Microwave sensor/Day-light sensor/Zigbee/Smart system optional to connect



Mounting angle: -15deg~+15deg adjustable, vertical installation is available

Compatible with DALI driver, CLO/IoT function optional

WE MAKE IT
Light

GERMAN QUALITY · DEUTSCHE QUALITÄT

ilumen

📍 Address: Am Hopfenbach 12, 22926 Ahrensburg, Germany

☎ Phone: +49 4102 7798707

✉ email: info@ilumenled.de

🌐 www.ilumenled.de