

ilumen



Tunnelum

The next generation of tunnel light

WE MAKE IT
Light
GERMAN QUALITY · DEUTSCHE QUALITÄT

GENERAL

A reliable solution for tunnel and underpass

Tunnelum is purpose-built for underground rail tunnel systems, featuring a prismatic glass known as fresnel lens that precisely controls light output for narrow and long side walk or escape route. Its die-cast aluminium body ensure exceptional durability, making it ideal not only for tunnels but also for a wide range of demanding industrial applications. Tunnelum can be used as a maintained/non-maintained emergency lighting when connected to Central Battery System (CBS).

Constructed with a high-strength die-cast aluminum housing, it offers outstanding impact resistance and corrosion protection. This makes it an ideal choice for harsh environments including humid, high-temperature, dusty, or corrosive conditions. Additionally, Tunnelum supports NFC dimming. Three LED lumen packages available: (1078, 2252 & 3013 lumens).



Rail tunnels



Industrial tunnels



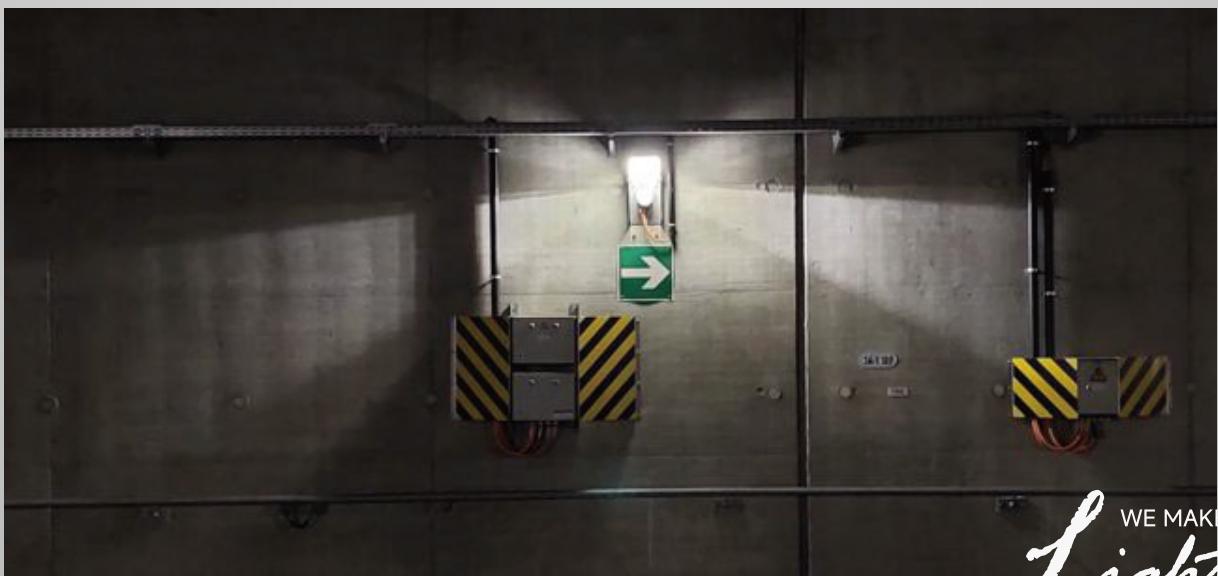
Security lighting



Local industrial lighting

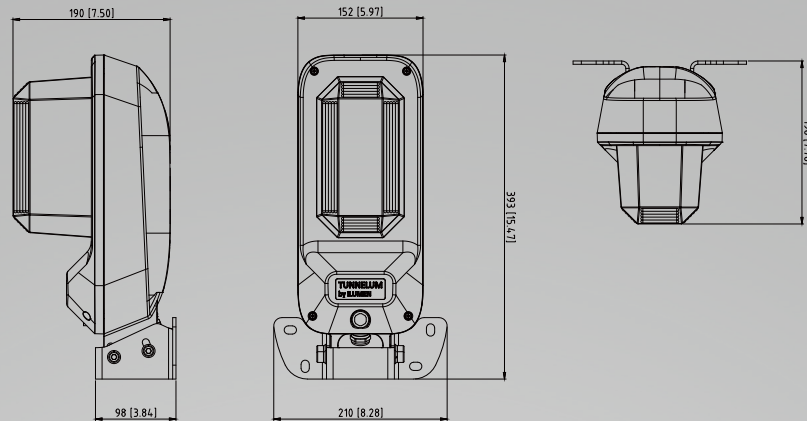


Conveyor tunnels



VERSIONS

Unit mm



IL-TU34-NXXX40-TY5

PRODUCT DATA

Light and Electrical

LED Chip	Lumileds 2835
Light Efficacy	124lm/w
CCT	4000K (optional: 3000K/6500K)
CRI	80
LED Lifespan	80,000@L80B10 (Ta 25Deg)
Driver	Tridonic
Input Power	220-240VAC, 176-280VDC, 24W
Input Frequency	50/60/0 Hz
Inrush Current	14.88 A / 226 μs
Power Factor	≥0.92
THD	<20%
SPD	L-N:6KV, LN-GND:10KV
CLASS	II
Risk Group	RG0

Controls and Dimming

Dimmable	NFC dimmable
Intelligent Control	DALI-2 option, CBS address card option

Mechanical and Housing

Structure Material	Aluminum-Alloy Die Castings
Finish Material	Powder coated
Lens Material	Tampered glass
Fixture Color	Silver grey RAL9006
Mounting Option	Wall mounted (+5° to -15°)

Photometric distributions

Type V



Operating Temperature

Operating Temperature -25°C ~ +50°C

Certificates and Standards



IEC 60598-2-22,
IEC55015,
IEC61000-3-2,
IEC61000-3-3
IEC62778



Rugged die-cast aluminium construction: Guarantee durable performance and excellent heat dissipation.



Supports NFC dimming: Three LED lumen packages available in 1078, 2252 & 3013 lumens.

Mounting Flexibility: Adjustable mounting angle from +5° to -15°



Prismatic optics: Controlled light output & low glare





ilumen

📍 Address: Am Hopfenbach 12, 22926 Ahrensburg, Germany

☎ Phone: +49 4102 7798707

✉ email: info@ilumenled.de

🌐 www.ilumenled.de