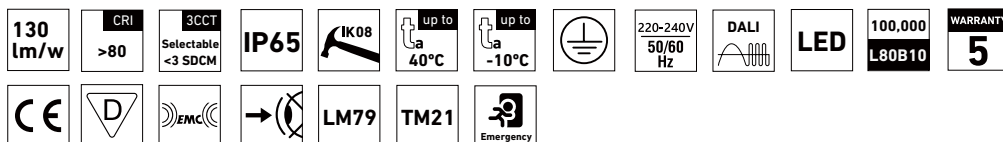
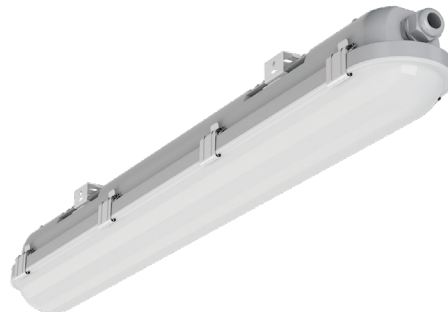


## Emma

### General Characteristics

- 4-Power-in-1 and 3-CCT-in-1.
- Easy openable cover and internal wiring terminal.
- DALI, Microwave Motion Sensor And Emergency Pack are available.



### Mechanical

Body: SPCC  
 Cover: Poly carbonate (PC)  
 Installation: Hoisting/ Ceiling mounted / Wall mounted  
 Color: Grey base/Transparent & striped cover  
 Ingress protection: IP65  
 IK resistance: IK08  
 Ambient temperature: -10°C ~ 40°C

### Electrical

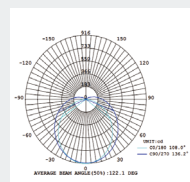
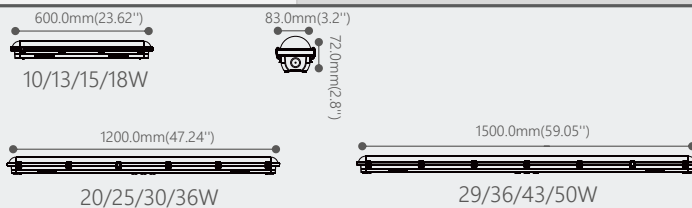
Input: 220-240VAC (50/60Hz)  
 Power factor:  $\geq 0.90$   
 THD: <20%  
 Safety class: Class I  
 Surge protection: /  
 Interconnection number: 90pcs (0.6m), 45pcs (1.2m), 30pcs (1.5m)

### Other control

Sensing: MW sensor/Emergency Pack  
 Communication: 1-10V/DALI

### Application

Garage, Sports centers, Factory, Hospitals and laboratories



Type	Power [W]	Total Flux [lm]	Efficacy [lm/w]	Beam angle [°]	Ta Max: [°C]	Size [mm]	Net weight [kg]
IL-TL26-N01040-120	10.14	1348.4	133	120	40	600*83*72	0.9
IL-TL26-N01340-120	12.67	1690.4	133.4	120	40	600*83*72	0.9
IL-TL26-N01540-120	14.75	1945.4	131.9	120	40	600*83*72	0.9
IL-TL26-N01840-120	17.63	2322.4	131.7	120	40	600*83*72	0.9
IL-TL26-N02040-120	20.29	2700	133	120	40	1200*83*72	1.7
IL-TL26-N02540-120	24.79	3250	131	120	40	1200*83*72	1.7
IL-TL26-N03040-120	29.32	3825	130.5	120	40	1200*83*72	1.7
IL-TL26-N03640-120	36.08	4665	129.3	120	40	1200*83*72	1.7
IL-TL26-N02940-120	28.86	3799.9	131.7	120	40	1500*83*72	2.1
IL-TL26-N03640-120	35.86	4669.9	130.2	120	40	1500*83*72	2.1
IL-TL26-N04340-120	42.84	5549.9	129.5	120	40	1500*83*72	2.1
IL-TL26-N05040-120	49.61	6379.9	128.6	120	40	1500*83*72	2.1