

ilumen



Emilia CR

The next generation of panel light





Laboratories



Hospitals



Pharmaceutical factories



Food factories

Professional Clean Room Lighting Solution

Specifically designed for high-standard environments such as food production areas, healthcare facilities, laboratories, and educational settings, Emilia CR represents the perfect combination of lighting technology and hygienic design.

- Hygienic Design: The chamfered frame structure effectively prevents dust accumulation and bacterial growth, meeting strict cleanliness standards.
 - High-Quality Diffuser: Made from thermoformed PMMA, the diffuser features a smooth surface with excellent chemical and heat resistance, ensuring long-term and stable lighting performance.
 - IP65 Protection Rating: Fully protected against dust, steam, and water, making it suitable for all types of cleanroom environments.
- Easy to Clean and Maintain: The hygienic exterior design allows users to perform cleaning and maintenance quickly and effortlessly.

Quick Assembly & Maintenance

Emilia CR is composed of three main parts, each connected with spring clips, allowing users to install and maintain the fixture quickly, efficiently and safely.



① Thermoformed PMMA Cover

Developed in accordance with GMP hygiene guidelines. The outer frame features a chamfered design to prevent dust accumulation and bacterial growth. It includes a sealing gasket for dust and water protection. Screw holes on the surface allow for quick access and easy removal of the cover.

② PCB Gear Plate

Firmly secured to the base with screws, this design allows for easy disassembly, assembly, and maintenance of the middle section.

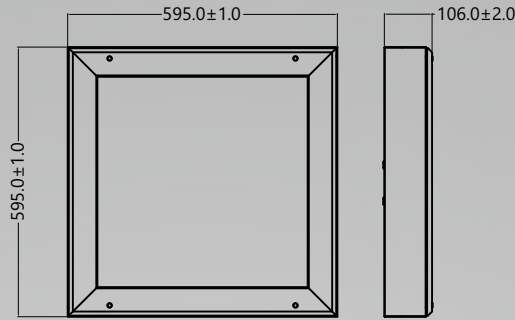
③ Powder-coated steel housing

Offer strong corrosion and oxidation resistance. Features a key-lock clip design to ensure each parts is securely connected without compromising the lighting performance.

CERTIFIED

Emilia CR complies with clean room environment certification (ISO EN 14644-1) and Good Manufacturing Practice (GMP) standards.

PRODUCT PARAMETER



Model Number	IL-PL32-NXXX40-110
Power	36W/40W/48W
Luminous Flux	3960LM/4400LM/5280LM
Ra	80
UGR	<22
Light Efficiency	110LM/W
Input voltage	220-240Vac
Color Temperature	3000K~6500K
Operating Temperature	-20 to +45°C
Ingress protection code	IP65
Beam angle	110°
Mech. impact protection code	IK03
SDCM	<3
LED Lifespan	60,000Hrs@L80B10 (Ta 25Deg)
Base plate	SPCC
Lens	PMMA
Color	Powder coated in white RAL9003
Mounting options	Lay-in ceilings/Recessed/Suspended /Surface mounted
Intelligent control	0-10V/DALI/Microwave sensor/PIR sensor/Bluetooth



ilumen

📍 Address: Am Hopfenbach 12, 22926 Ahrensburg, Germany

☎ Phone: +49 4102 7798707

✉ email: info@ilumenled.de

🌐 www.ilumenled.de