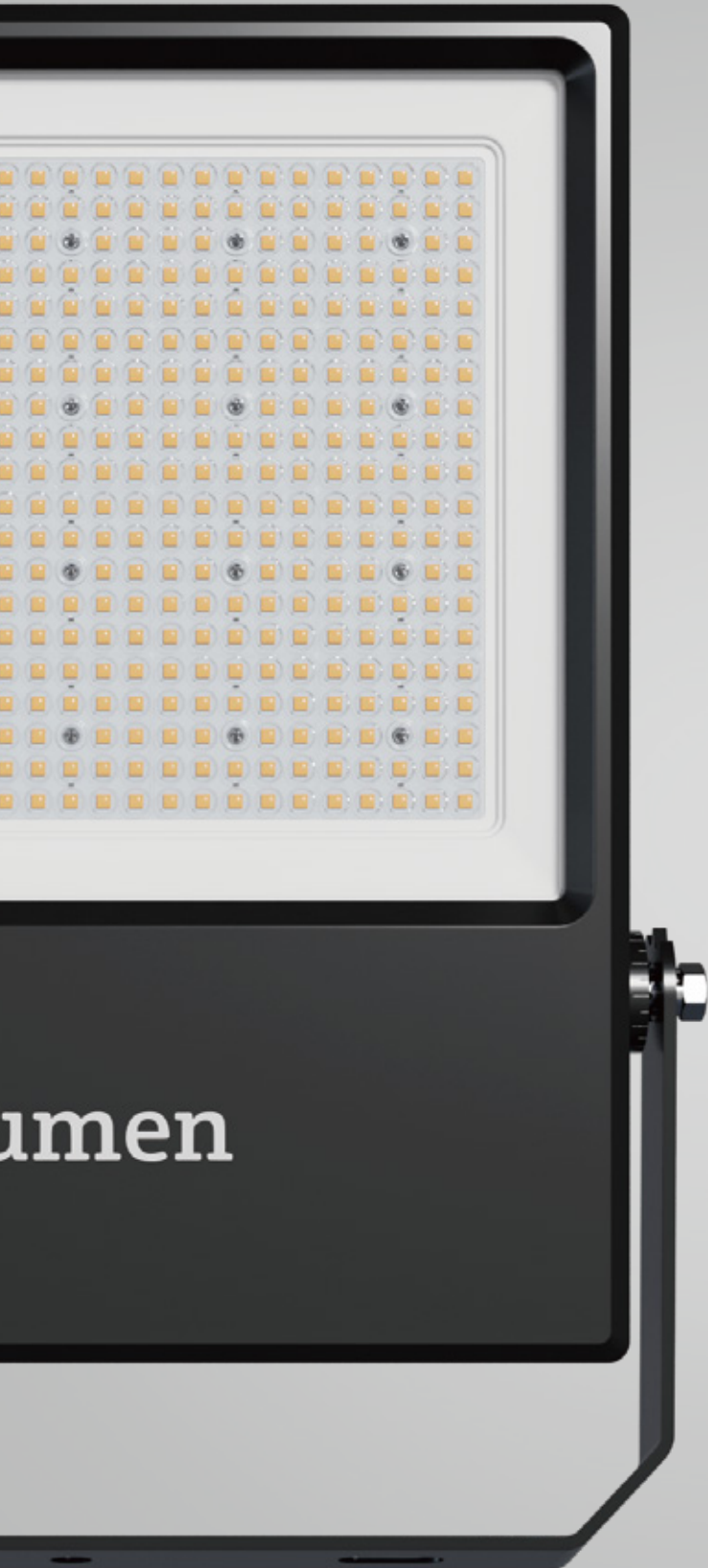


ilumen



Klose Flood light

ilumen

GENERAL

Various optics for options ;

Power selectable version to help reduce SKU.

Superb heat management. The one piece formed ADC12 die casting aluminum provides a better thermal conductivity.

Tick marks are optional, provided on the housing to allow for precise aiming and to facilitate the alignment of multiple luminaires.

Marine level NSS 1000hrs/1500hrs/2000hrs/2500hrs is optional.

.ies/.ldt files are available.



Ports



Façade



Driveways



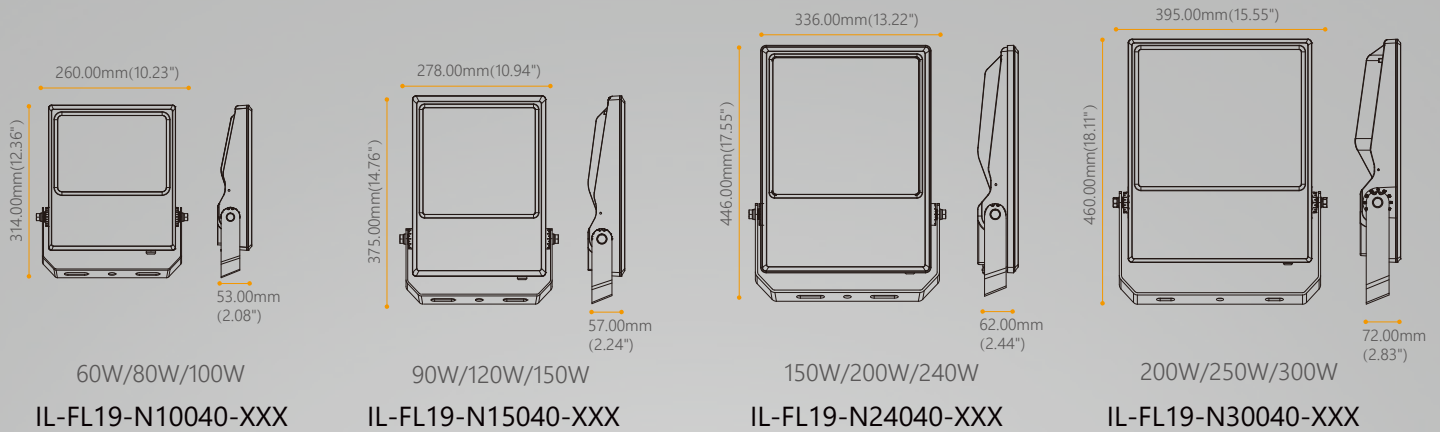
Parking lots



Indoor Sports Hall



VERSIONS

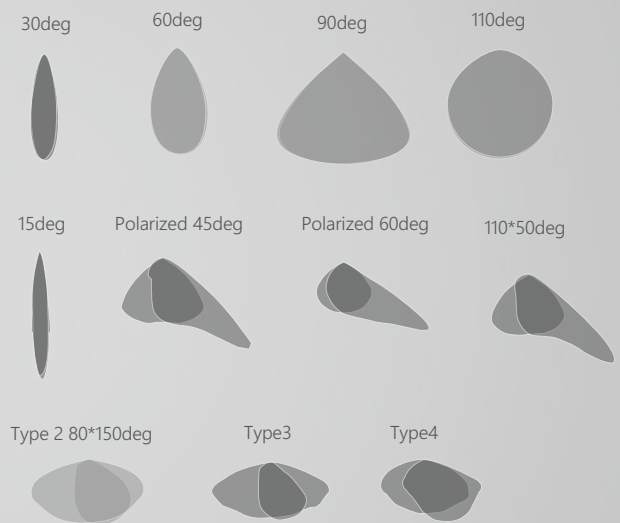


PRODUCT DATA

Light and Electrical

LED Chip	Lumileds
Light Efficacy	150lm/w, 155lm/w, 160lm/w
CCT	3000K~6500K
CRI	70/ 80
LED Lifespan	80,000@L80B10 (Ta 25Deg)
Driver	Philips
Input voltage	220-240Vac
Input Frequency	50/60Hz
Inrush current	-
Power Factor	>0.95
THD	-
SPD	-
CLASS	I

Photometric distributions



Controls and Dimming

Dimmable	Non-dimmable,0-10V dimmable
Intelligent Control	-

Operating Temperature

Operating Temperature -30°C~+50°C

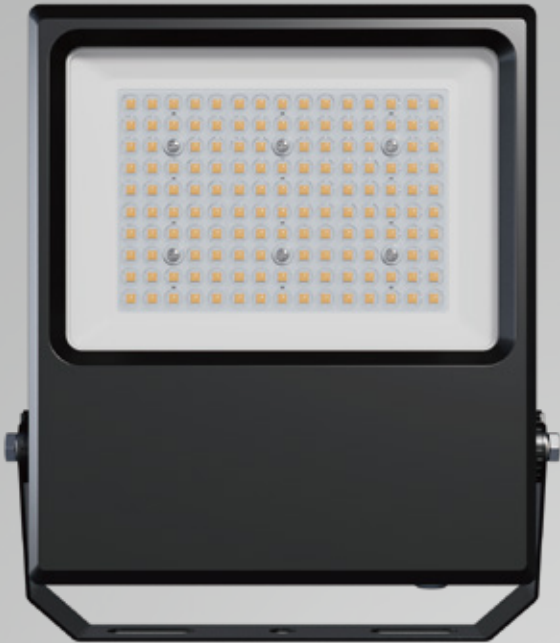
Mechanical and Housing

Structure Material	ADC12
Finish Material	Powder coated
Lens Material	Tempered glass only / PC Lens+Tempered glass
Glass Material	-
Fixture Color	Black
Mouting Option	Ground /Wall Mounted

Certificates and Standards

CE CB RoHS ErP

Larger light-emitting area.



Superb heat dissipation to ensure long life span.



Power selected



ilumen

📍 Address: Am Hopfenbach 12, 22926 Ahrensburg, Germany

☎ Phone: +49 4102 7798707

✉ email: info@ilumenled.de

🌐 www.ilumenled.de