

ilumen



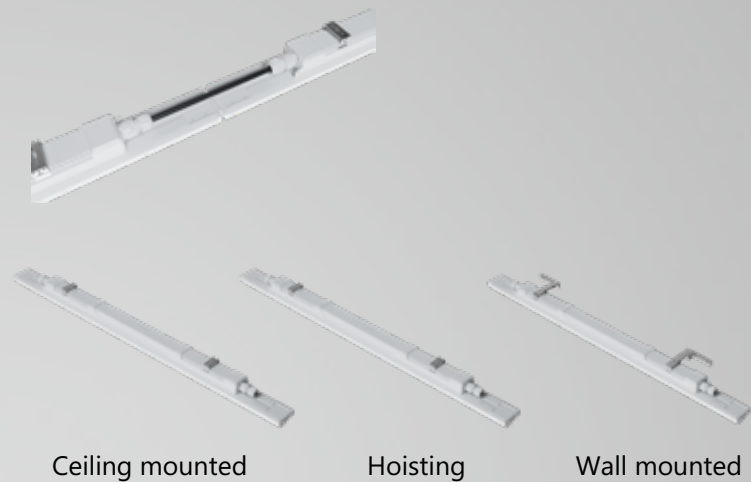
Adele

The next generation of waterproof light

WE MAKE IT
Light
GERMAN QUALITY · DEUTSCHE QUALITÄT

Waterproof Linear Light

- Integrated gluing process: provides better protection performance and increases the durability of the equipment.
- Fully enclosed design, protection level IP66: ensures the safety of the equipment in harsh environments and prevents the intrusion of dust and water.
- High temperature water flushing: can adapt to 80°C high temperature water pressure cleaning, easy to maintain and clean.
- Convenient external wiring: tool-free cascade design makes installation and wiring simpler and faster.
- Multiple installation methods: provides three installation methods: Hoisting, ceiling mounting and wall mounting, flexible to adapt to different scenarios.



Garage



Shopping mall



Factory

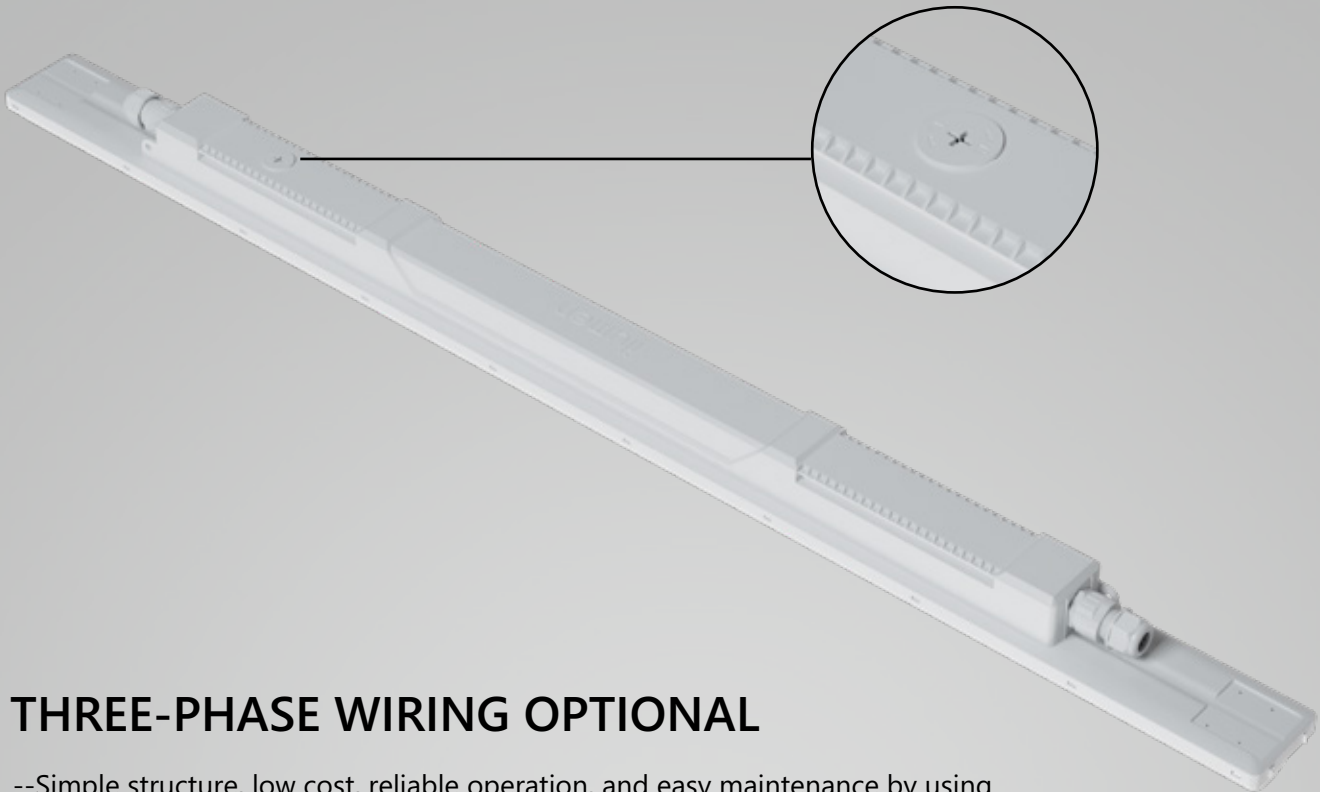


Workshop



POWER SELECTABLE & CCT SELECTABLE OPTIONAL

--When you turn on this button, you can adjust the power or color temperature to help you reduce SKU.

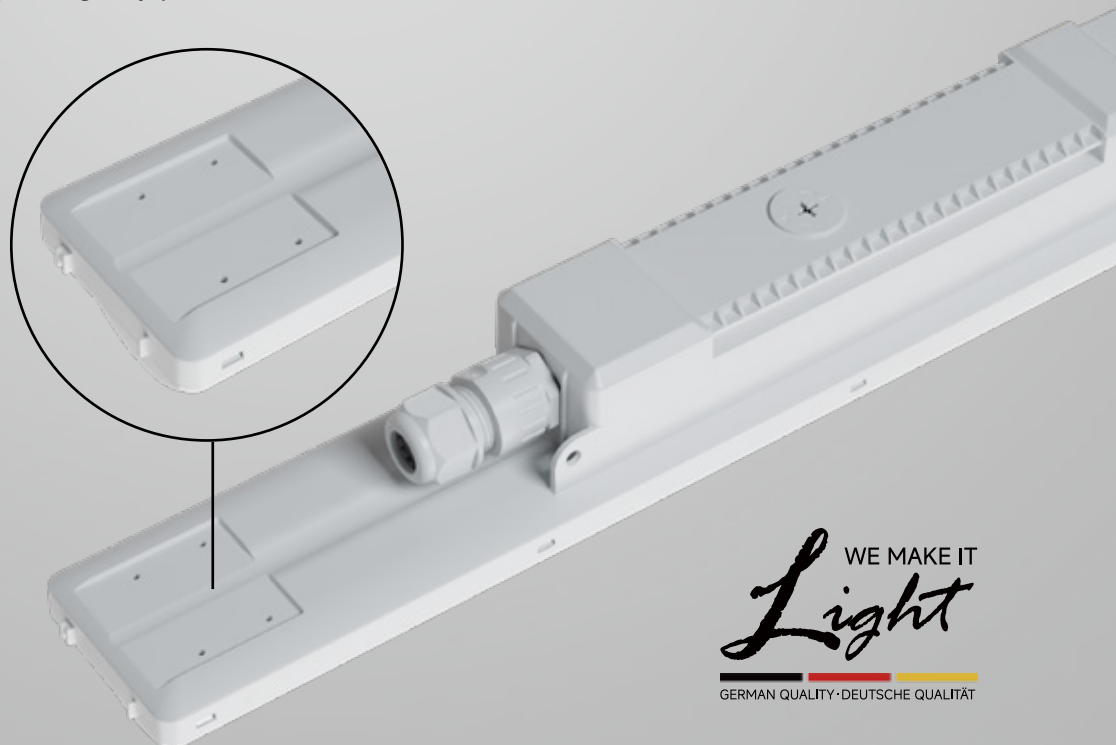


THREE-PHASE WIRING OPTIONAL

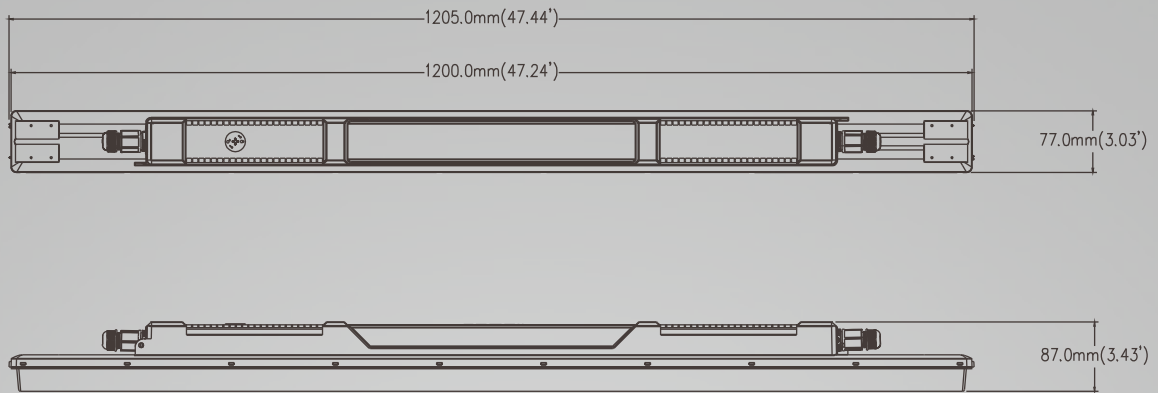
--Simple structure, low cost, reliable operation, and easy maintenance by using jumper cables and connector to wire.
--More economical than single-phase transformers and are easier to connect to loads.

MOTION SENSOR OR EMERGENCY PACK OPTIONAL

--External plate for installing emergency pack



PRODUCT PARAMETER



Power	12W/16W/20W/24W/30W/32W/40W/50W
Luminous Flux	2250lm~6000lm
Ra	>80
Light Efficiency	150lm/w
Input voltage	220-240Vac
Beam angle	120°
Operating Temperature	-30~50°C (12W-20W), -30~45°C (24W-50W)
Ingress protection code	IP66
Mech. impact protection code	IK10
LED Lifespan	L80B10>60,000Hrs@35Deg
Color	Grey base/Transparent & striped cover
Mounting options	Hoisting/ Ceiling mounted / Wall mounted

WE MAKE IT
Light

GERMAN QUALITY · DEUTSCHE QUALITÄT

ilumen

📍 Address: Am Hopfenbach 12, 22926 Ahrensburg, Germany

☎ Phone: +49 4102 7798707

✉ email: info@ilumenled.de

🌐 www.ilumenled.de