

ilumen



Agnes

The next generation of post light

WE MAKE IT
Light
GERMAN QUALITY · DEUTSCHE QUALITÄT

GENERAL

- Suitable for Walkway, Park, Village, Garden.
- Variety of installation: Horizontal and Suspend, to meet the needs of different applications.
- High Color Rendering Index, Flicker free.
- Type II light distribution lens and tempered glass.
- IP65, IK08, to match outdoor condition.
- Suitable for 76mm light pole when vertical installation, suitable for 20mm/30mm/50mm light pole when suspend installation.
- .ies/.ldt files are available.



Residential



Park



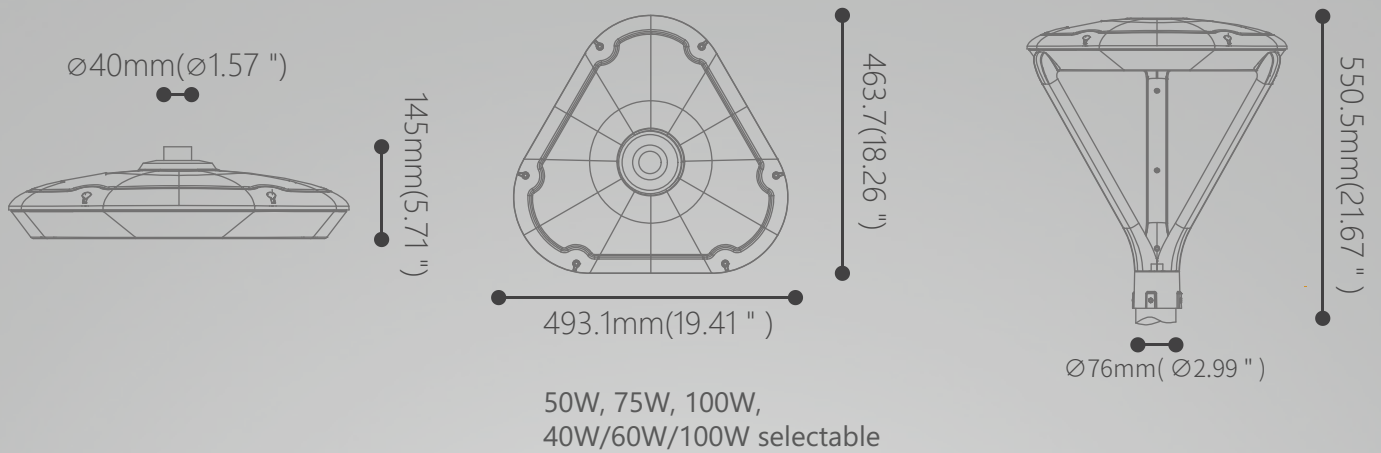
Country Road

ilumen



WE MAKE IT
Light
GERMAN QUALITY · DEUTSCHE QUALITÄT

VERSIONS

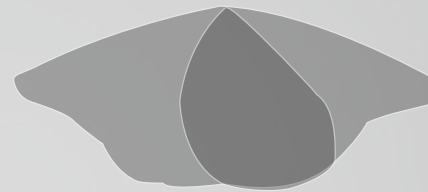


PRODUCT DATA

Light and Electrical

LED Chip	Lumileds
Light Efficacy	120lm/W
CCT	3000-6500K
CRI	>70 (80 optional)
LED Lifespan	77,000h@L80B10
Driver	Philips
Input voltage	220-240Vac
Input Frequency	50/60Hz
Inrush current	-
Power Factor	>0.95
THD	<15
SPD	Osram 10KV
CLASS	I

Photometric distributions



TYPE 2

Controls and Dimming

Dimmable	Optional
Intelligent Control	1-10V dimming/DALI/Microwave sensor

Operating Temperature

Operating Temperature $-30^{\circ}\text{C}\sim+50^{\circ}\text{C}$

Mechanical and Housing

Structure Material	Die casting ADC12
Finish Material	Power coated paint RAL9017
Lens Material	(PC)Polycarbonate
Glass Material	Tempered glass
Ingress protection code	IP65
Mech. impact protection	IK08

Certificates and Standards



KEY BENEFITS



Classic and smooth appearance, suitable for parks.

Variety of installation: Horizontal and Suspended installation, to meet the needs of different applications.



WE MAKE IT
Light



GERMAN QUALITY · DEUTSCHE QUALITÄT

ilumen

📍 Address: Am Hopfenbach 12, 22926 Ahrensburg, Germany

☎ Phone: +49 4102 7798707

✉ email: info@ilumenled.de

🌐 www.ilumenled.de